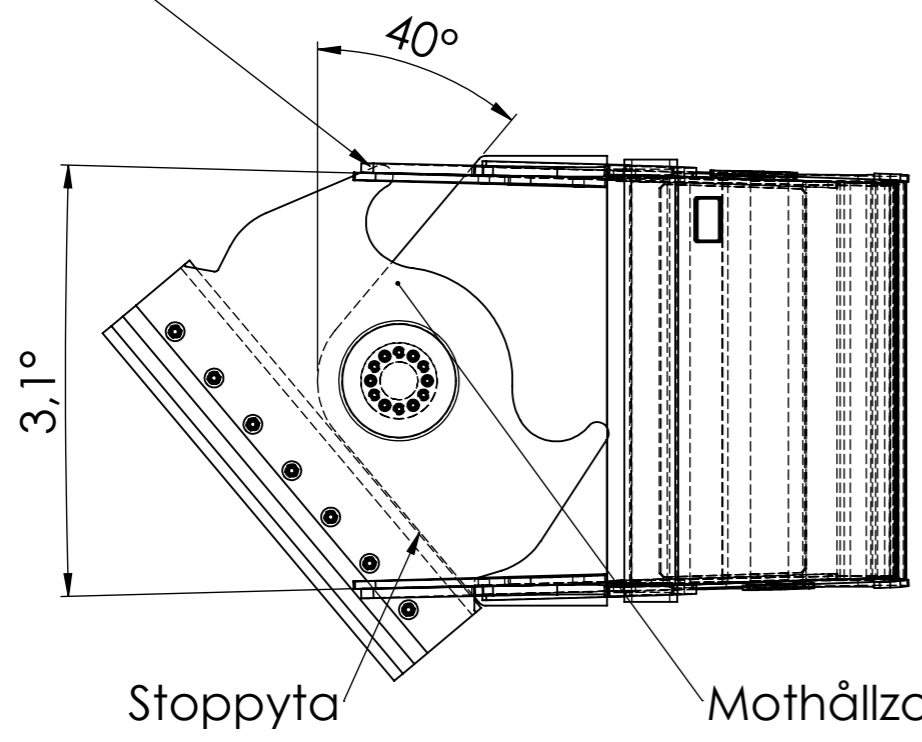


Fullt sidostöd hela vägen.



	NAME	SIGNATURE	DATE	MATERIAL:
DRAWN	MAS		2009-05-28	Stål
CHK'D	MO		2009-05-28	PAIN COLOR:
MFG	MO		2009-05-28	Kundorder

NOTE:  
-  
-

WEIGHT:  
1148.77 [kg]

UNLESS OTHERWISE SPECIFIED: DIMENSIONS ARE IN MILLIMETERS.  
SURFACE FINISH: Ra=7  
GENERAL TOLERANCES: SS-ISO 2768-mK  
DEBUR AND BREAK SHARP EDGES

ARTICLE: 100125-10275-FLEX

TITLE:  
**DJUPSKOPA GM**  
BERGSKOPA med FLEXSKÄR, 1200 l.

DWG NO. **100126-10275-FLEX**  
SCALE:1:20  
DO NOT SCALE DRAWING  
A3  
REVISION: 2  
SHEET 1 OF 1